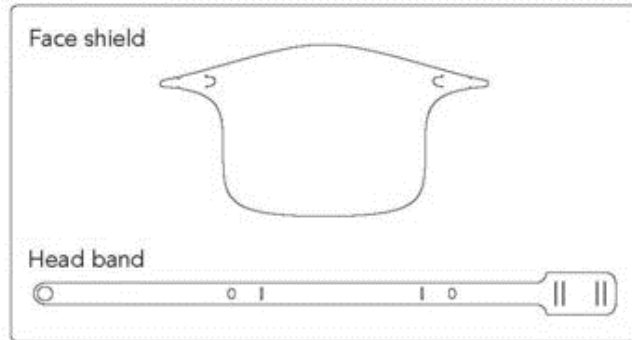
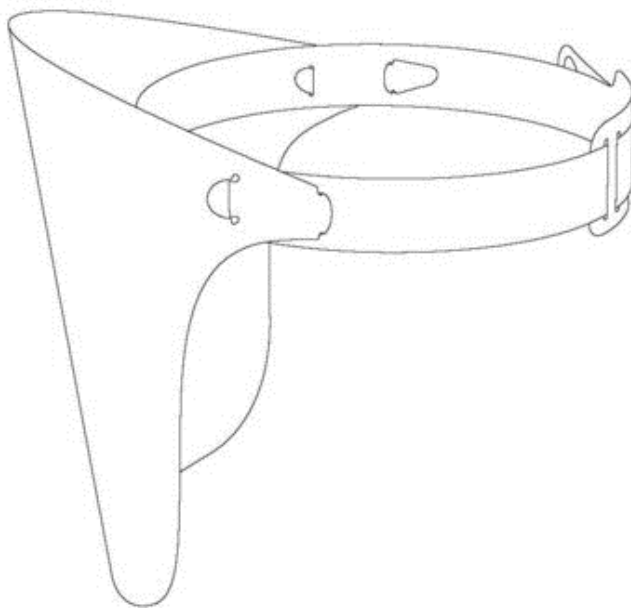




OVERVIEW



READY FOR USE



INFO

Face Protection Shield, Vers 7.0.
2020.03.29

Materials, preferred:
Clear PETG, APET or PC

Materials, alternative:
PVC or other clear materials in 0,5 – 0,6mm

Danish Design by EMERGENEERS:
Øivind Slaatto, Gudmundur Ludvik,
Jens Præstgaard Møller

ASSEMBLY GUIDE

